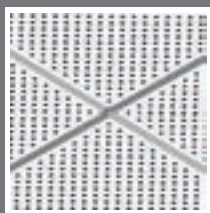


INSTALLATION GUIDE FOR FIRE-RESISTANT* MONOBAC TILES



This fitting procedure will enable you to prepare and easily fit your Plafometal metal ceiling.

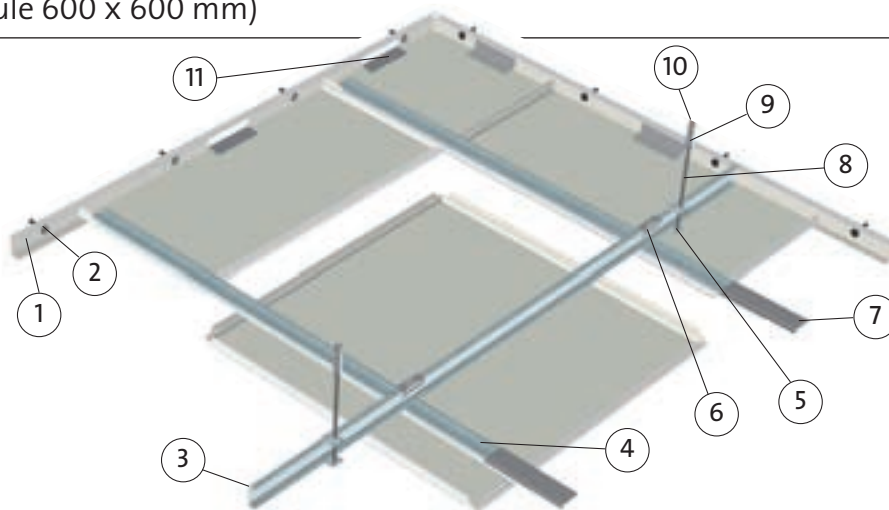
Please contact us and refer to the Fire Resistance Report prior to installation.

*Fire-resistant according to French and Belgian standards.

RANGE

CLIP-IN TILE SYSTEM ON A CONCEALED GRID
PLAFOMETAL-SC-240
(Module 600 x 600 mm)

MONOBAC
(Fire-resistant)



BILL OF MATERIALS PER M²

Illustration	Mark no.	Description	Quantity / m ²
	1	U-SECTION PERIMETER CHANNEL 19 x 40 x 19 - Length: 3,000 mm Ref: U+1802BA	Depending on the perimeter
	2	HAMMER-IN FIXING Ø5.7 x 36 mm for concrete	Depending on the perimeter
	3	U-SECTION PRIMARY BEAM - Height: 38 - Length: 4,000 mm Ref: U1029	0.84 lm
	4	T-SECTION SECONDARY BEAM - Length: 4,000 mm for steel panels Ref: D5110	1.7 lm
	5	SUSPENSION SPECIAL HOLDING CLAMP FOR U-SECTION PRIMARY BEAM Ref: AC 21	0.7 units
	6	CONNECTING HANGER FOR U-SECTION PRIMARY BEAM - T-SECTION SECONDARY BEAM Ref: AC510	1.4 units
	7	T-SECTION SECONDARY BEAM CONNECTOR Ref: AC53	0.42 units
	8	THREADED ROD Ø6 x 1000 mm Ref: TFZ6	0.7 units
	9	NUT H6 Ref: 778	1.4 units
	10	STEEL PLUG 12 x 40 mm for concrete floors	0.7 units
	W	PERIMETER WEDGE Ref: P6800013	Depending on the perimeter

Unless otherwise specified, all dimensions are in millimeters (mm).
Please contact us and refer to the Fire Resistance Report prior to installation.
Each step includes a diagram, tips and the tools used.

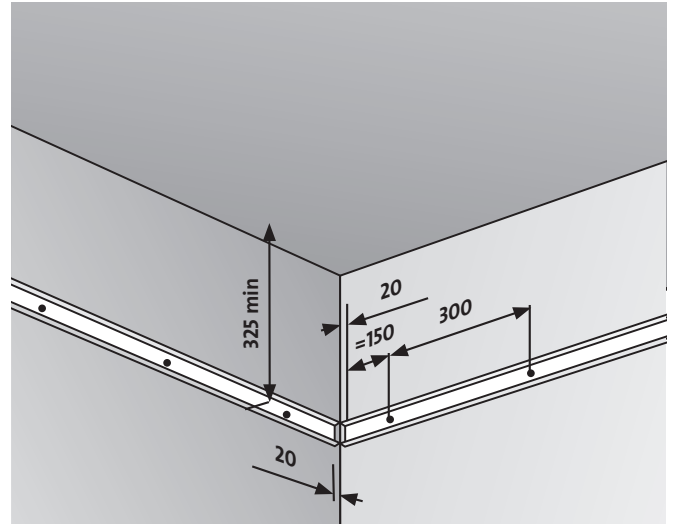
PLAFOMETAL

FITTING PROCEDURE

Fire-Resistant MONOBAC

1 FITTING THE PERIMETER CLIP-ON CHANNELS

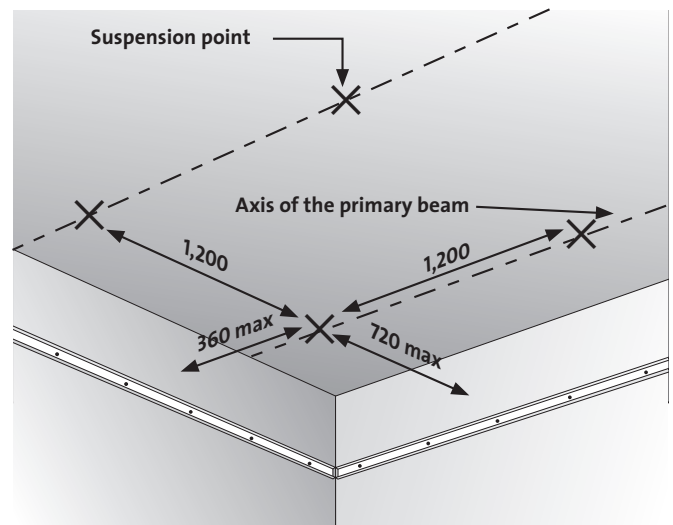
- ▶ Install the perimeter clip-on channels (19 x 40 x 19 mm) to the concrete walls around the ceiling.
- ▶ Fix to the concrete walls with hammer-in fixings (Ø5.7 x 36 mm) (no more than every 300mm).
- ▶ Corners: allow for a 20 mm expansion gap between the ends of the perimeter clip-on channels.
- ▶ Height: the lower wing of the clip-on channels must be at least 325 mm from the concrete slab.



2 MARKING THE SUSPENSION POINTS ACCORDING TO THE LAYOUT PLAN

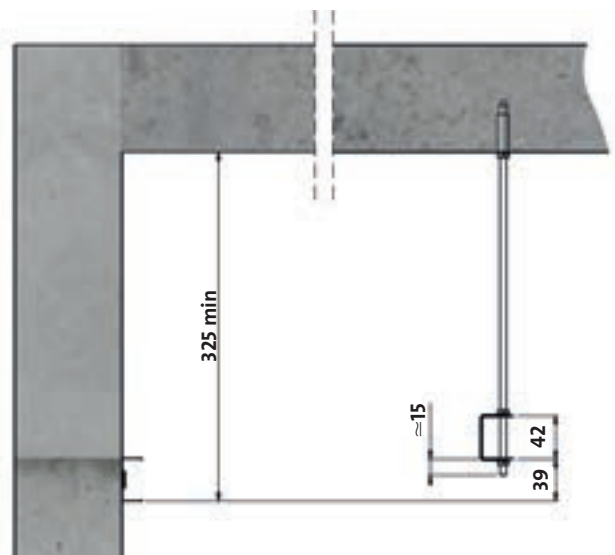
Mark the suspension points for the primary beams according to the following rules:

- ▶ Maximum distance of the FIRST primary beam from the wall: 720 mm.
- ▶ Distance between primary beams: 1,200 mm.
- ▶ The first hanger is no more than 360 mm from the wall.
- ▶ Distance between hangers: 1,200 mm.



3 INSTALLING THE HANGERS RULES (INSTALLATION)

- ▶ After drilling into the upper floor slab, insert Ø12 x 40 steel plugs and screw in the Ø6 mm threaded rods. Install the threaded rod + special holding clamp + nut assembly as shown in the diagram (bottom of the special holding clamp approximately 39 mm from the bottom of the clip-on channel and the top of the special holding clamp approximately 81 mm (= 39+42) from the top of the clip-on channel).
- ▶ The special holding clamp can be fitted at the same time as the main grid (see step 4).

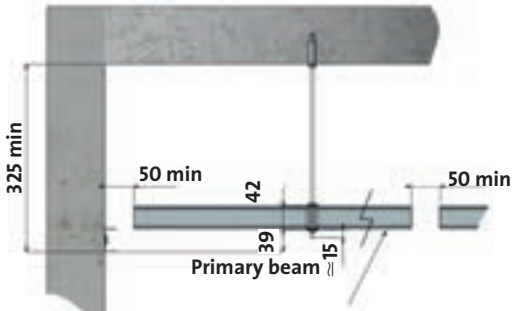


Unless otherwise specified, all dimensions are in millimeters (mm).

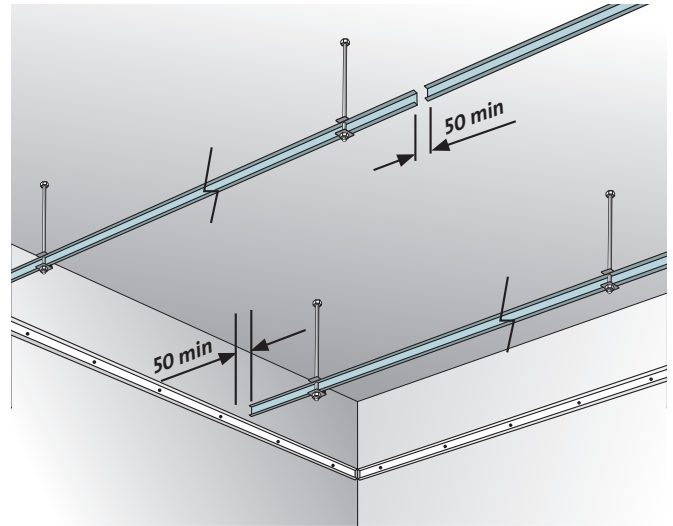
FITTING PROCEDURE

Fire-Resistant MONOBAC

4 INSTALLING THE MAIN GRID

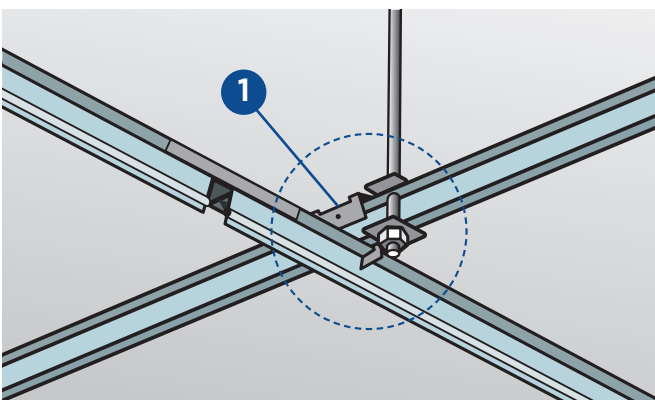
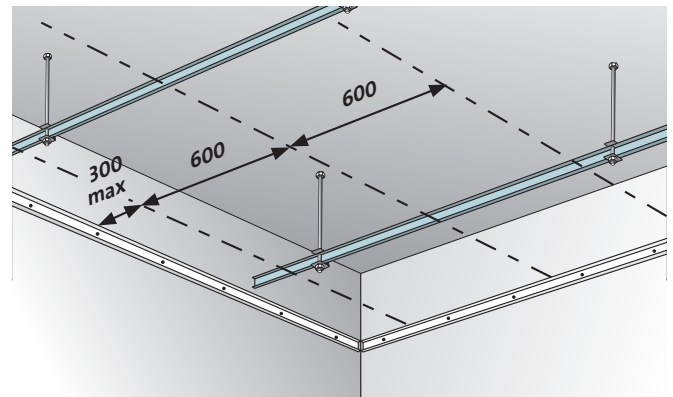


- ▶ Insert the primary beam into the suspension special holding clamp.
- ▶ Allow for an expansion gap of at least 50 mm at each end of the primary beams.
- ▶ After adjusting, tighten the special holding clamp nuts.

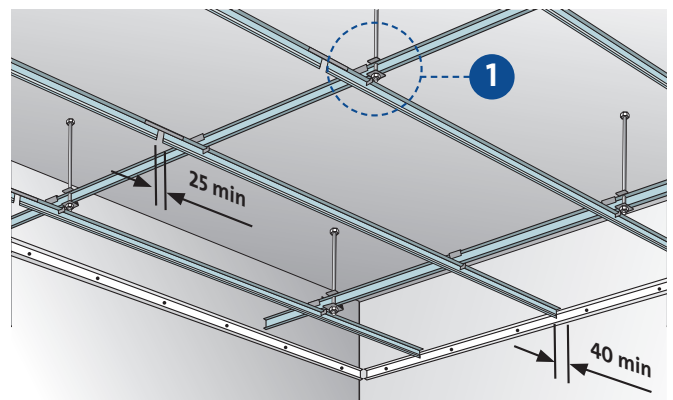


5 INSTALLING THE SECONDARY GRID

- ▶ Slide the AC510 linking accessory onto the secondary beam and then position the secondary beams perpendicularly beneath the primary beams with 600 mm center-to-center spacings.
- ▶ The secondary beam must not be more than 300 mm from the wall.



- ▶ Bend the top fold of the AC510 accessory ① towards the inside of the primary beam.



- ▶ Allow for an expansion gap of at least 40 mm between the end and the wall.
- ▶ Join the beams together with the AC53 length connector while allowing for a 25 mm gap between each secondary beam.

Your grid is in place! You can now clip on the Monobac tiles.

Unless otherwise specified, all dimensions are in millimeters (mm).

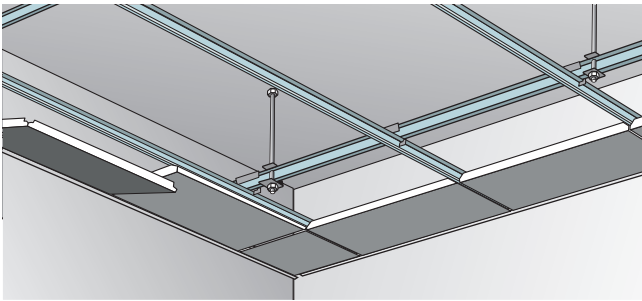
FITTING PROCEDURE

Fire-Resistant MONOBAC

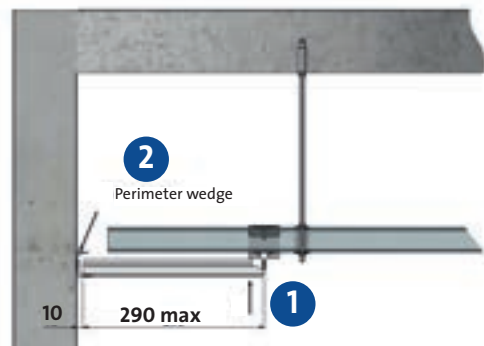
6 INSTALLING THE TILES

MONOBAC PERIMETER TILES

Start by fitting the Monobac tiles in a corner:

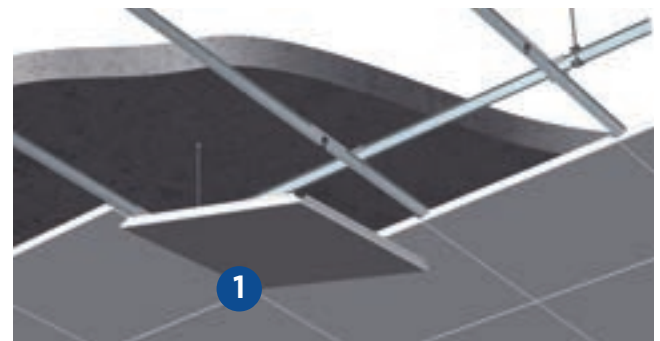
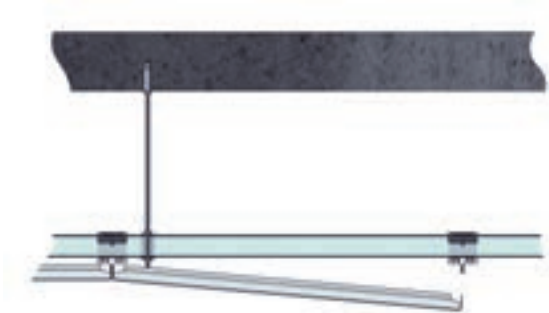


- ▶ Cut the tile to the required dimensions while allowing for a gap of 10 mm (using a nibbler).
- ▶ Remove the film from the edges of the tile.

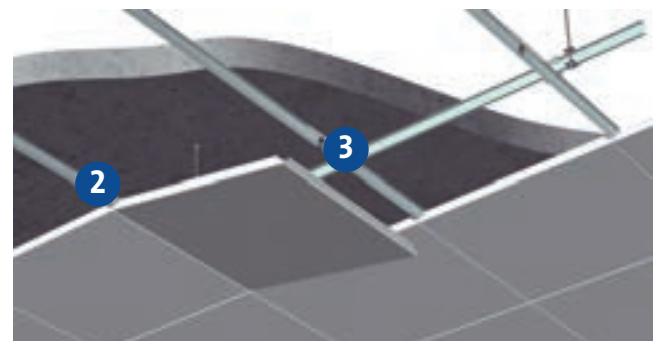


- ▶ Clip the marked edge into the secondary grid ①.
- ▶ Block the cut edge in the clip-on channel using a perimeter wedge ②.

FULL MONOBAC TILES



- ▶ Remove the film from the edges of the Monobac tile.
- ▶ Present the Monobac tile at an angle to the secondary grid next to a tile that has already been fitted.
- ▶ Start by clipping the tile in a corner ① and then in the center and the second corner ②: the first edge is now clipped into place!
- ▶ Follow the same procedure for the other side ③.



i TIPS:

- ▶ Monobac tiles can be clipped on the FOUR sides thanks to the continuous grooves along the four edges.
- ▶ If tiles need to be cut on site, use a nibbler on a film-wrapped Monobac tile to protect the product.

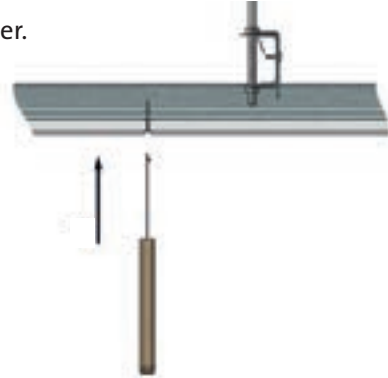
Unless otherwise specified, all dimensions are in millimeters (mm).

REMOVAL PROCEDURE

Fire-Resistant MONOBAC

7 ACCESSING THE PLENUM: OCCASIONAL REMOVAL OF TILES

- ▶ Slide the disassembly tool between two Monobac tiles in the center.
- ▶ Then slide the tool to one of the corners.



- ▶ To unclip the corner of the tile, pull downwards.



i TIPS:

- ▶ Preferably avoid placing the tool beneath the secondary grid.
- ▶ The side of the Monobac tile that is not beneath the secondary grid is the one where the tool is the easiest to slide.

APPENDIX

Fire-Resistant MONOBAC

STORAGE

All our products must be stored on edge, on a flat surface and in a dry place away from inclement weather and the risk of impacts.

CARE / CLEANING

Our ceilings only require minimal maintenance. Various types of cleaning methods can be used:

- ▶ To remove dust, use a soft brush or vacuum cleaner with a non-abrasive nozzle.
- ▶ To remove pencil or similar marks, simply use an eraser.
- ▶ In case of grease stains, use a cloth slightly dampened with a surfactant, taking care not to get the insulation material wet.
- ▶ For other stains or dirty marks, use a damp cloth or sponge, taking care not to get the insulation material wet.

Never use abrasive products.

When using chemicals, always test on a concealed part of the ceiling.

Contact us before using disinfectant solutions.

ON-SITE CUTTING

The ceiling should not support any loads other than its own weight.

Various fixtures (lighting, air vents, speakers, signs, etc.)

can be fitted to the building's primary or secondary structure using hangers passing through the ceiling with the smallest possible gap.

The secondary structure must then be verified at elevated temperatures through testing or design calculations according to applicable standards relating to the CSTB Fire Resistance Report.



PLAFOMETAL

Route de Phades - 08800 MONTHERME
Tel: +33 (0)3 24 59 54 18 - +33 (0)3 24 59 54 25
Email: contact.plafometal@saint-gobain.com
www.plafometal.com