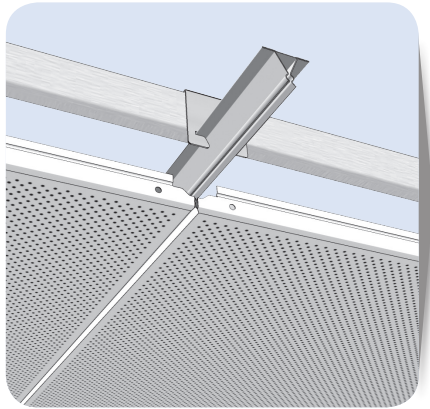


# Monobac SF metal tile

Clip-in metal tile with bevelled edges on a concealed grid, fire-resistant



- Designed to be clipped under a concealed grid.
- Clip-in tile with a locking ring on the four sides.
- Bevelled peripheral edges as standard - square edges on request.

## Key product features

**Safety:** 30-minute fire resistance (France and Belgium)

**Aesthetics:** ceiling with a monolithic aspect

**Acoustics:** high degree of correction, absorption factor  $\alpha_w$  up to 1

**Opening:** secure access to the plenum (requiring use of a disassembly tool)

**Ideal for:** lobbies with fire resistance needs.

## Related systems

- WALL TO WALL SUSPENDED CEILINGS  
Ceiling on concealed grids  
Clip-in tile on concealed grid system, fire-resistant MONOBAC SF  
[PLAFOMETAL-SC-240]

## Characteristics and performance



**Light reflection**  
Up to 87%



Clip-in ends and bevelled edges  
(square edges on request)



**Acoustics**  
 $\alpha_w$  up to 0.80 with the ALPHA range  
 $\alpha_w$  up to 1 with the ALPHA PLUS range



**Indoor air quality**  
Class A+ for all these products:

- Non-perforated
- In the ALPHA range
- In the ALPHA PLUS range, with a specific mineral wool pad in thin plastic film



**Reaction to fire** (according to EN 13501-1)

Euroclass A1 for these products:

- Prepainted non-perforated
- Prepainted in the ALPHA range

Euroclass A2-s1,d0 for these products:

- Non-perforated powder post-painted
- Powder post-painted in the ALPHA range
- In the ALPHA PLUS range



**Fire resistance:**

**France:** 30-minute fire resistance performance pursuant to the test described in Section 2.5 of Appendix 1 in the French Regulation of March 22, 2004, meeting applicable French fire regulations for shared-use corridors inside high-rise buildings. Perimeter panels and profiles must be installed in conformity with the applicable fire classification report and appendices. Contact us.

**Belgium:** 30-minute fire resistance performance pursuant to the test defined in the Belgian NBN 713-020 standard, meeting applicable fire regulations for escape routes, public-access areas and collective kitchens. Perimeter panels and profiles must be installed in conformity with the applicable fire classification and test reports. Contact us.



Verified EPD available in the INIES database ([www.inies.fr](http://www.inies.fr))

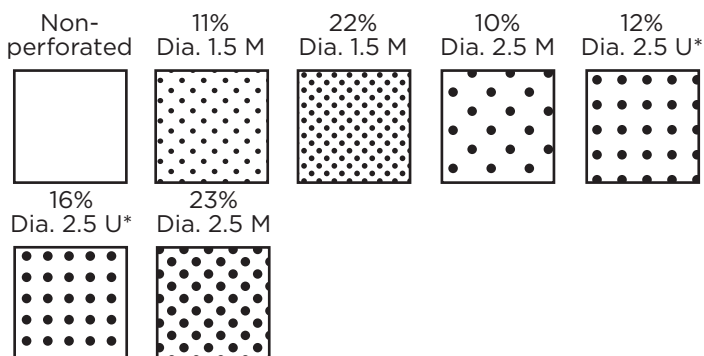


CE marking  
(according to EN 13964)  
DoP no.: 0007-200

## Colors

- **White 137 (≈ RAL 9003)**  
Polyester prepainted
- **Metallic Gray (RAL 9006)**  
Polyester prepainted - on request
- **180 RAL colors available on request**  
Polyester powder post-painted

## Perforations



Scale 1:2

\* Not stored

All metal tiles have a non-perforated area of a few mm around the edges.

## Dimensions & Packing

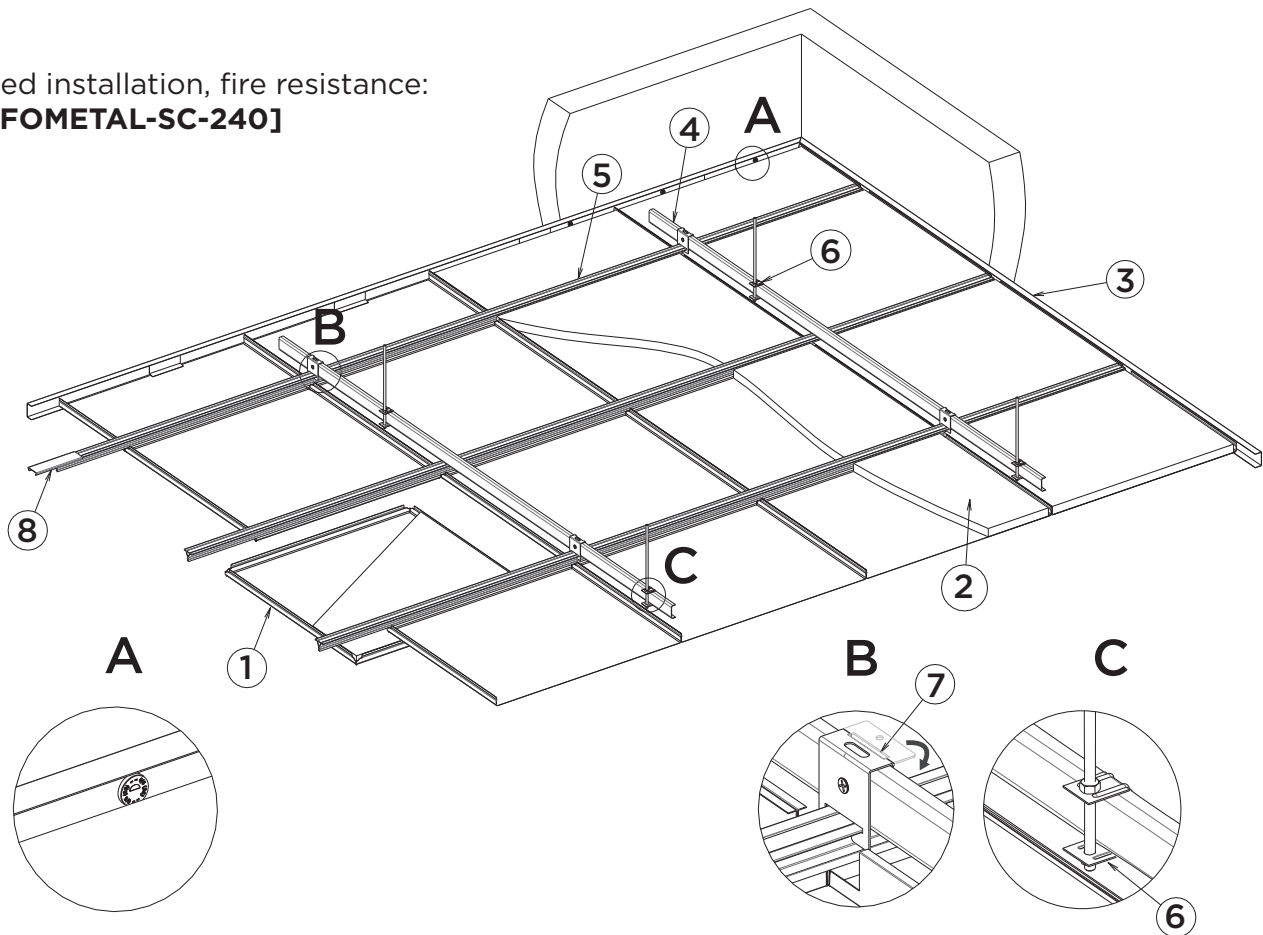
Dimensions (mm)		
Width*	600	
Length*	600	
Height	26	
Packaging		
Units/pack	14	10
m <sup>2</sup> /pack	5.04	7.2
Packs/pallet	20	10
Weight (gross kg/pack)	22	30

Non-perforated steel tile only (thickness 0.5 mm)

\*Other dimensions on request

# Monobac SF metal tile

Framed installation, fire resistance:  
[PLAFOMETAL-SC-240]



No.	Illustration	Article code	Component	Sales unit	Billing unit	Quantity (in billing units)
1		Contact us	Monobac SF metal tile	Pack (14 units)	m <sup>2</sup>	1
2		Contact us	Additional acoustic component	/	m <sup>2</sup>	1
3		U+1802BA	Channel trim 19 x 40 x 19 mm* leng. 3 m + perimeter wedge (not included in the pack)	Pack (12 units)	lm	Depending on the perimeter
4		U1029	U-section main runner leng. 4 m	Pack (20 units)	lm	0.84
5		D5110	T-section secondary profile leng. 4 m	Pack (20 units)	lm	1.68
6		AC21	Suspension flange** U-section main runner	Pack (100 units)	Unit	0.7
7		AC510	Connecting hanger U-section main runner / T-section secondary profile	Pack (100 units)	Unit	1.4
8		AC53	T-section secondary profile length connector	Pack (100 units)	Unit	0.42
Option		P57900338	Monobac disassembly tool	Unit	Unit	As required

\* to be installed with specific center spacings and fixings (not supplied) according to the classification report

\*\* Suspend with 6 mm diameter threaded rods and M6 nuts (not supplied)

## Installation according to DTU 58-1 and the classification report

**Framed installation:** for a fire-resistant installation, refer to the "Fire-resistant Monobac" installation guide and always consult the fire classification report available on request.

**Removal:** unclip at the bottom using the special disassembly tool.