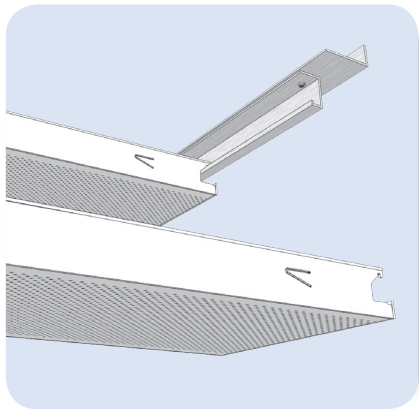


# Horus panel

Hook-on self-supporting panel, concealed grid



- Designed to be hooked on a concealed grid forming an open hollow joint between the panel and the wall.
- Specific notches mean that the panel can be suspended on the grid and disassembled from below.
- The "wool block" notches on the sides hold the acoustic inlay in place and prevent it from sliding when removing panels.

## Key product features

**Installation:** grid with an offset edge to absorb alignment gaps with the wall

**Aesthetics:** ceiling with a monolithic aspect for framed installations

**Acoustics:** high degree of correction, absorption factor  $\alpha_w$  up to 1

**Plenum ventilation:** suitable for hospitals

**Ideal for:** corridors in office buildings and hospitals.

## Related systems

- CORRIDOR CEILINGS  
Hook-on ceiling on concealed profiles  
Hook-on panel on concealed grid system HORUS  
[PLAFOMETAL-CC-310]
- WALL TO WALL SUSPENDED CEILINGS  
Ceiling on concealed grids  
Hook-on panel on concealed grid system HORUS  
[PLAFOMETAL-SC-210]

## Characteristics and performance



**Light reflection**  
Up to 87%



Straight sides and square edges



**Acoustics**  
 $\alpha_w$  up to 0.85 with the ALPHA range  
 $\alpha_w$  up to 1 with the ALPHA PLUS range



**Indoor air quality**  
Class A+ for all these products:

- Non-perforated
- In the ALPHA range
- In the ALPHA PLUS range, with a specific mineral wool pad in thin plastic film

Class A for all the products in the ALPHA PLUS range, with a specific mineral wool pad with a black tissue face



Optional climate ceiling island available; contact us for details



**Reaction to fire** (according to EN 13501-1)  
Euroclass A1 for these products:

- Prepainted non-perforated
  - Prepainted in the ALPHA range
- Euroclass A2-s1,d0 for these products:
- Non-perforated powder post-painted
  - Powder post-painted in the ALPHA range
  - In the ALPHA PLUS range



**Chemical resistance**  
(according to EN 12720 and ISO 11998)  
Metal ceilings are resistant to disinfection with sodium hypochlorite 2,5%, hydrogen peroxide 6% or ethanol 70% disinfectants. Further details can be found in the "Maintenance" section of the appendices.



Verified EPD available in the INIES database ([www.inies.fr](http://www.inies.fr))

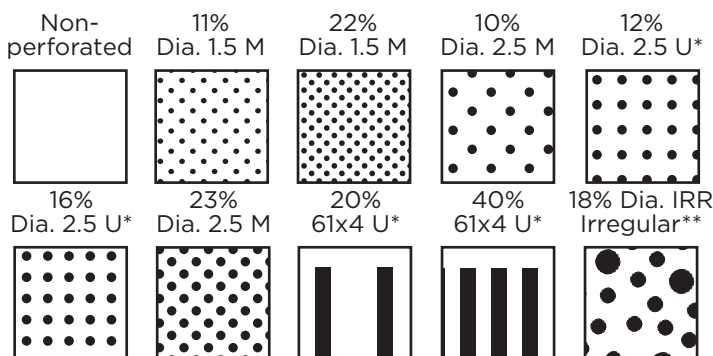


CE marking (according to EN 13964)  
DoP no.: 0007-200

## Colors

- **White 137 (≈ RAL 9003)**  
Polyester prepainted
- **Metallic Gray (RAL 9006)**  
Polyester prepainted - on request
- **180 RAL colors available on request**  
Polyester powder post-painted

## Perforations



Scale 1:2 Perforations can be stopped at the end of the panel (except for 18% IRR)

\* Only available with perforations that stop short on the four sides.

\*\* Maximum width 400 mm

## Dimensions & Packing

Dimensions (mm)						
Width*	300	400	600			
Length	On request. Recommended dimensions between 900 and 2,500 mm					
Height	35	50	35	50	35	50
Self-supporting capacity	2,700	3,000	2,500	2,600	1,600	1,800
Packaging **						
Units/pack	8	6	6	4	6	4
m <sup>2</sup> /pack	5.3	4.5	4.3	3.4	5.4	4.3
Packs/pallet	21	21	27	27	18	18
Weight (gross kg/pack)	32	29	25	21	29	32

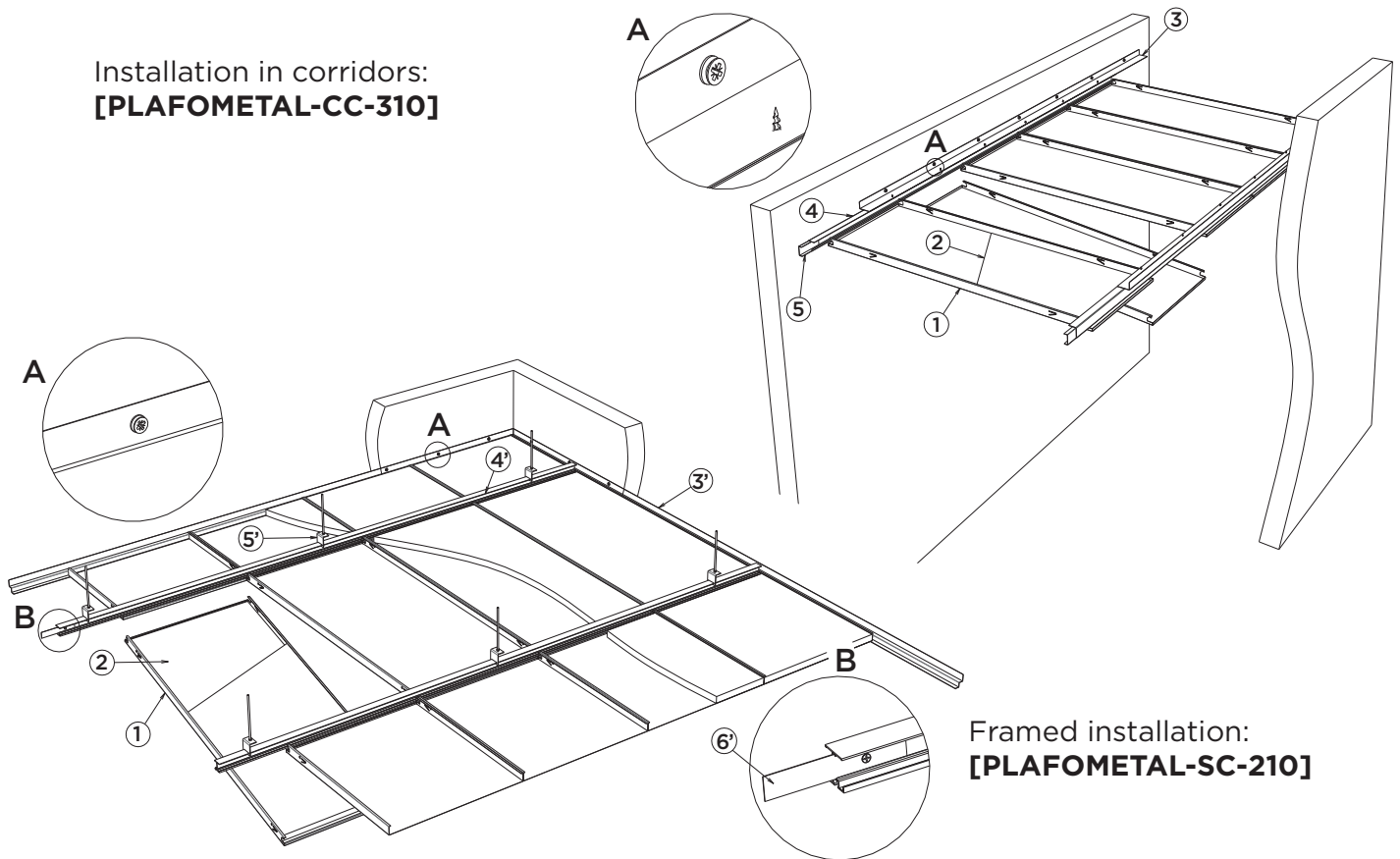
Non-perforated steel panel only (thickness 0.6 to 0.8 mm)

\* Other dimensions on request

\*\* For a length equal to the self-supporting capacity

# Horus panel

Installation in corridors:  
[PLAFOMETAL-CC-310]



Framed installation:  
[PLAFOMETAL-SC-210]

No.	Illustration	Article code	Component	Sales unit	Billing unit	Quantity (in billing units)	
1		Contact us	Horus panel	Unit	m <sup>2</sup>	1	Per m <sup>2</sup>
2		Contact us	Additional acoustic component	/	m <sup>2</sup>	1	
Installation in corridors	3	P5790047	Horus wall angle 30 x 50 mm long 3 m	Unit	lm	2	Per lm of corridor
	4	P5690014	Horus corridor profile leng. 3 m	Unit	lm	2	
	5	Contact us	Horus profile length connector	Unit	Unit	0.67	
OR Framed installation	3'	Contact us	Perimeter profile* leng. 3 m	Unit	lm	Depending on the perimeter	Per m <sup>2</sup>
	4'	P5690001	Horus alu carrier leng. 4 m	Unit	lm	$\frac{1}{\text{Carrier center spacing (lm)}}$	
	5'	P6800033	Horus carrier hanger**	Unit	Unit	$\frac{1}{\text{Carrier center spacing (lm) X 1.2}}$	
	6'	P5690004	Horus carrier connector	Unit	Unit	$\frac{1}{\text{Carrier center spacing (lm) X 4}}$	

\* Hollow joint wall angle or wall angle with cutting of the perimeter panels \*\* Suspend with 6 mm diameter threaded rods and M6 nuts (not supplied)

## Installation according to local code of practice

**Installation in corridors:** wall angle to be screwed to the wall every 300 mm.

**Framed installation:** hangers with 1,200 mm centers starting 300 mm from the wall, and carriers with centers up to the panel's self-supporting capacity. The perimeter can be finished with the profiles and hollow joint used during installation in corridors, provided that the length of the panels (full perimeter panels) is compatible with the dimensions of the room.

**Removal:** the panel is disassembled by pushing upwards and then sliding sideways to free it from the profile (and the adjacent panel in case of a framed installation). Free it from underneath by tilting it on one side. Put the panel back in place in reverse order, ensuring that all the elements are aligned.

**Cut-outs:** bespoke factory cut-outs on request.