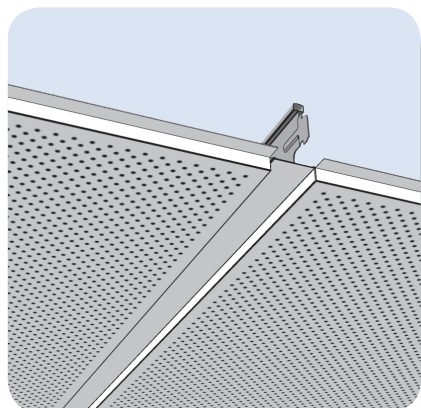


# H8-E24 metal tile

8-mm tegular edge metal tile fitted on T24 grid



- Designed to be installed on a T24 grid
- 8-mm tegular effect

## Key product features

**Aesthetics:** reinforced modular appearance

**Solidity:** strength for repeated handling

**Acoustics:** high degree of correction, absorption factor  $\alpha_w$  up to 1

**Ideal for:** all types of premises

## Related systems

- WALL TO WALL SUSPENDED CEILINGS  
Ceiling on exposed T grids  
System of metal tiles installed on T grids (H0, H2, H8-E15, H8-E24)  
**[PLAFOMETAL-SC-310]**

## Characteristics and performance



**Light reflection**  
Up to 87%



Tegular edges and square edges



**Acoustics**  
 $\alpha_w$  up to 0.80 with the ALPHA range  
 $\alpha_w$  up to 1 with the ALPHA PLUS range



**Indoor air quality**  
Class A+ for all these products:

- Non-perforated
- In the ALPHA range
- In the ALPHA PLUS range, with a specific mineral wool pad in thin plastic film



**Reaction to fire** (according to EN 13501-1)  
Euroclass A1 for these products:

- Prepainted non-perforated
- Prepainted in the ALPHA range

Euroclass A2-s1,d0 for these products:

- Non-perforated powder post-painted
- Powder post-painted in the ALPHA range
- In the ALPHA PLUS range



Verified EPD available in the INIES database ([www.inies.fr](http://www.inies.fr))

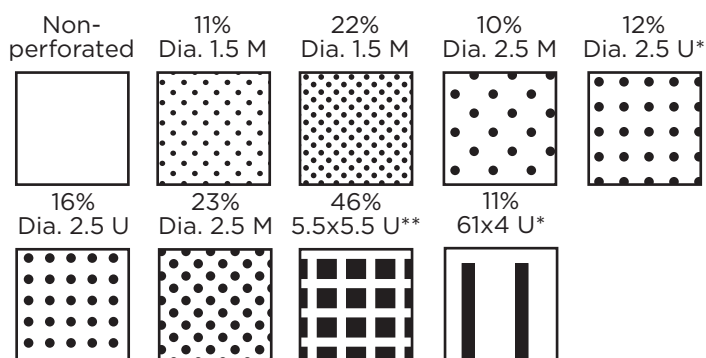


CE marking (according to EN 13964)  
DoP no.: 0007-200

## Colors

- **White 137 (≈ RAL 9003)**  
Polyester prepainted
- **Metallic Gray (RAL 9006)**  
Polyester prepainted - on request
- **Black (RAL 9005)**  
Polyester prepainted - on request
- **180 RAL colors available on request**  
Polyester powder post-painted

## Perforations



Scale 1:2      On aluminum, contact us.  
All metal tiles have a non-perforated area of a few mm around the edges.  
\* Not stored  
\*\* Only available in 600x600 mm

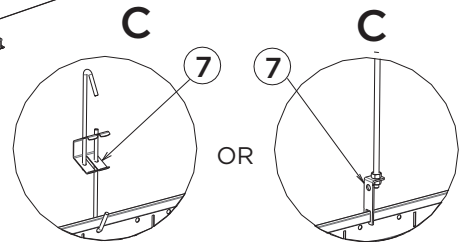
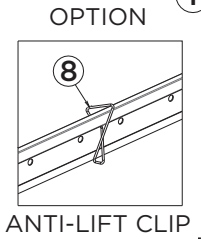
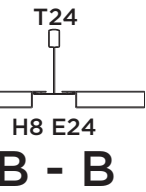
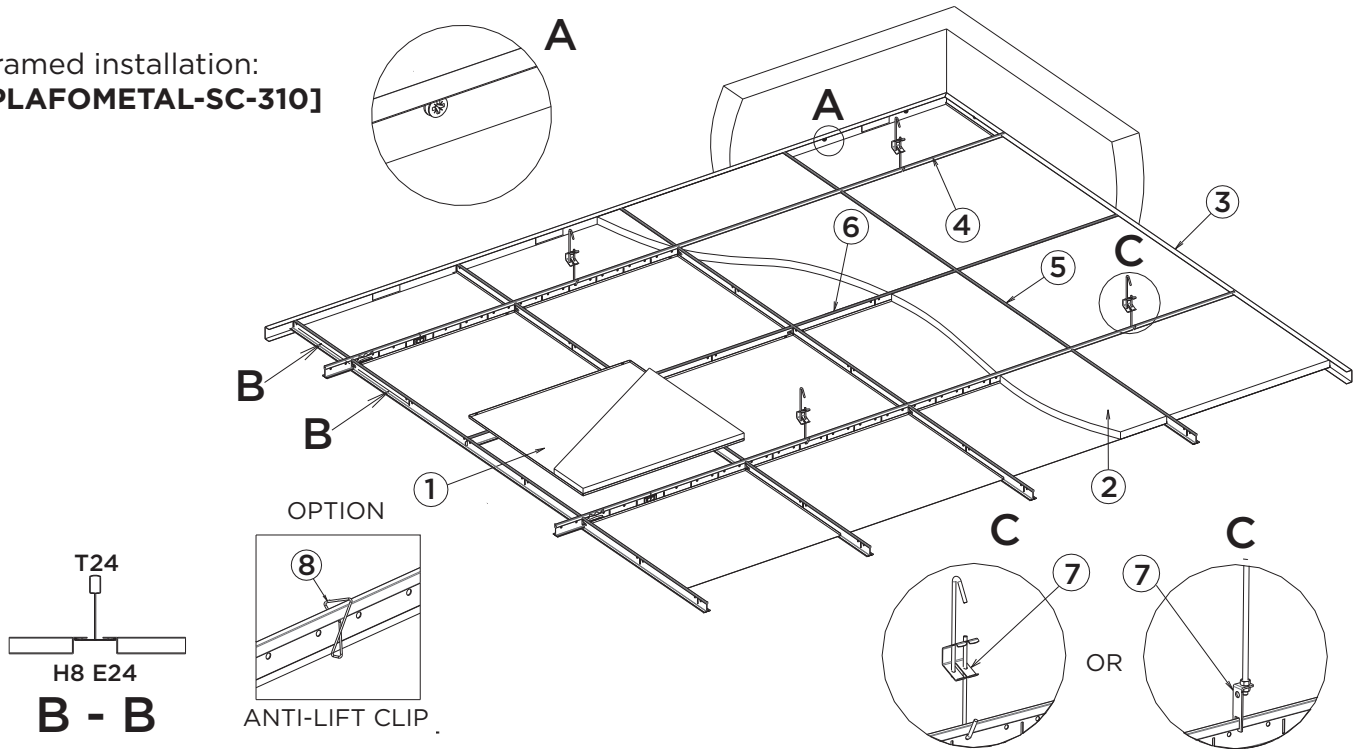
## Dimensions & Packing

Dimensions (mm)				
Width*	600	600	625	675
Length*	600	1,200	625	675
Height	8			
Packaging				
Units/pack	14	10	Contact us (non-standard)	
m <sup>2</sup> /pack	5.04	7.20		
Packs/pallet	28	10		
Weight (gross kg/pack)	19	28		

Non-perforated steel tile only (thickness 0.5 mm)  
\*Other dimensions on request

# H8-E24 metal tile

Framed installation:  
[PLAFOMETAL-SC-310]



No.	Illustration	Article code	Component	Sales unit	Billing unit	Quantity (in billing units) for 600x600 mm metal tiles
1		Contact us	H8-E24 metal tile	Pack	m <sup>2</sup>	1
2		Contact us	Additional acoustic component	/	m <sup>2</sup>	1
OR	3	V817BA	Wall angle 30 x 30 mm leng. 3 m	Pack (30 units)	lm	Depending on the perimeter
	3	D5165BA	Hollow joint wall angle 19 x 19 x 19 x 19 mm leng. 3 m	Pack (30 units)	lm	
	3	U+1802BA	Channel trim 19 x 40 x 19 mm leng. 3 m + perimeter wedge (not included in the pack)	Pack (12 units)	lm	
	4	Contact us	T15 / T24 carrier profile leng. 3.6 m	Pack (60 units)	lm	0.84
	5	Contact us	T15 / T24 cross tee leng. 1.2 m	Pack (60 units)	lm	1.68
	6	Contact us	T15 / T24 cross tee leng. 0.6 m	Pack (20 units)	lm	0.84
OR	7	Contact us	Adjustable hanger	Pack (100 units)	Unit	0.7
	7	CA110	Slide hanger*	Bag (100 units)	Unit	0.7
Option	8	CA113	Anti-lift clip	Bag (100 units)	Unit	2

\* Suspend with 6 mm diameter threaded rods and M6 nuts (not supplied)

## Installation according to DTU 58-1

**Framed installation:** hangers with 1,200 mm centers starting 300 mm from the wall, and carriers with 1,200 mm centers.

**Cut-outs:** bespoke factory cut-outs on request.

**Removal:** by simply lifting the panel in the grid. Please contact us if you are interested in installing an access trapdoor. Possibility of a panel anti-lift feature by adding peripheral CA113 stirrups.