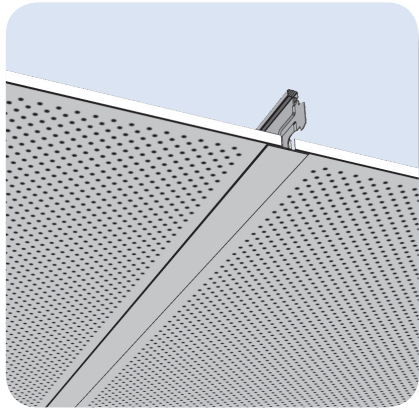


H0 metal tile

Straight edge metal tile fitted on T grid



- Designed to be installed on a T15 or T24 grid.
- The exposed side of the metal tile rests on the grid.

Key product features

Installation: cost-effective and adaptable to the different T grids

Solidity: strength for repeated handling

Acoustics: high degree of correction, absorption factor α_w up to 1

Ideal for: all types of premises

Related systems

- WALL TO WALL SUSPENDED CEILINGS
Ceiling on exposed T grids
System of metal tiles installed on T grids (H0, H2, H8-E15, H8-E24)
[PLAFOMETAL-SC-310]

Characteristics and performance



Light reflection
Up to 87%



Straight sides and square edges



Acoustics
 α_w up to 0.80 with the ALPHA range
 α_w up to 1 with the ALPHA PLUS range



Indoor air quality
Class A+ for all these products:

- Non-perforated
- In the ALPHA range
- In the ALPHA PLUS range, with a specific mineral wool pad in thin plastic film



Reaction to fire (according to EN 13501-1)
Euroclass A1 for these products:

- Prepainted non-perforated
 - Prepainted in the ALPHA range
- Euroclass A2-s1,d0 for these products:
- Non-perforated powder post-painted
 - Powder post-painted in the ALPHA range
 - In the ALPHA PLUS range



Verified EPD available in the INIES database (www.inies.fr)

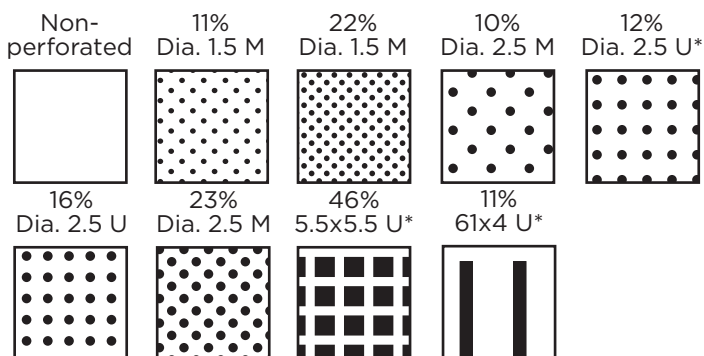


CE marking (according to EN 13964)
DoP no.: 0007-200

Colors

- **White 137 (≈ RAL 9003)**
Polyester prepainted
- **Metallic Gray (RAL 9006)**
Polyester prepainted - on request
- **Black (RAL 9005)**
Polyester prepainted - on request
- **180 RAL colors available on request**
Polyester powder post-painted

Perforations



Scale 1:2

On aluminum, contact us.

* Not stored

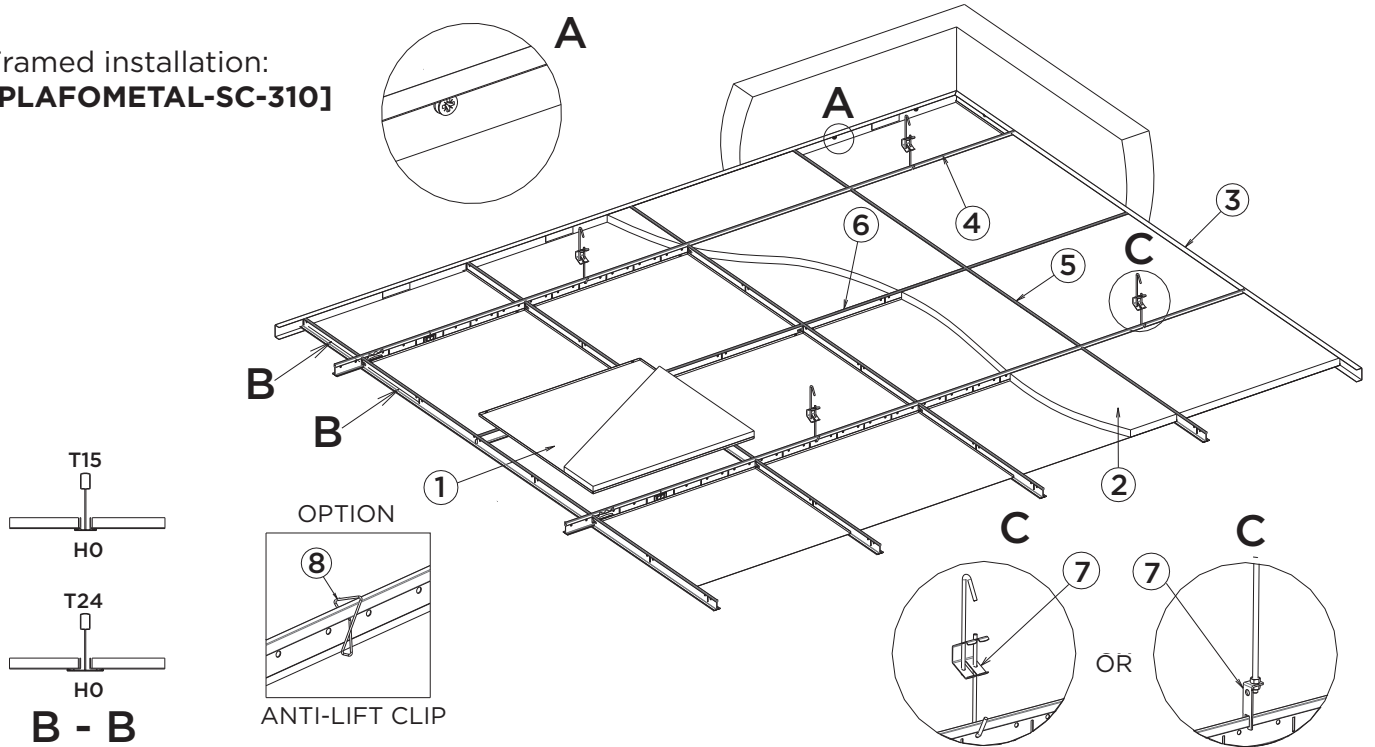
Dimensions & Packing

Dimensions (mm)				
Width*	600	600	625	675
Length*	600	1200	625	675
Height	7.5			
Packaging				
Units/pack	14	10	Contact us (non-standard)	
m ² /pack	5.04	7.20		
Packs/pallet	40	10		
Weight (gross kg/pack)	20	29		

Non-perforated steel tile only (thickness 0.5 mm)

*Other dimensions on request

Framed installation: [PLAFOMETAL-SC-310]



No.	Illustration	Article code	Component	Sales unit	Billing unit	Quantity (in billing units) for 600x600 mm metal tiles
1		Contact us	H0 metal tile	Pack	m ²	1
2		Contact us	Additional acoustic component	/	m ²	1
OR	3	V817BA	Wall angle 30 x 30 mm leng. 3 m	Pack (30 units)	lm	Depending on the perimeter
	3	D5165BA	Hollow joint wall angle 19 x 19 x 19 x 19 mm leng. 3 m	Pack (30 units)	lm	
	3	U+1802BA	Channel trim 19 x 40 x 19 mm leng. 3 m + perimeter wedge (not included in the pack)	Pack (12 units)	lm	
4		Contact us	T15 / T24 carrier profile leng. 3.6 m	Pack (60 units)	lm	0.84
5		Contact us	T15 / T24 cross tee leng. 1.2 m	Pack (60 units)	lm	1.68
6		Contact us	T15 / T24 cross tee leng. 0.6 m	Pack (20 units)	lm	0.84
OR	7	Contact us	Adjustable hanger	Pack (100 units)	Unit	0.7
	7	CA110	Slide hanger*	Bag (100 units)	Unit	0.7
Option	8	CA113	Anti-lift clip	Bag (100 units)	Unit	2

* Suspend with 6 mm diameter threaded rods and M6 nuts (not supplied)

Installation according to DTU 58-1

Framed installation: hangers with 1,200 mm centers starting 300 mm from the wall, and carriers with 1,200 mm centers.

Cut-outs: bespoke factory cut-outs on request.

Removal: by simply lifting the panel in the grid. Please contact us if you are interested in installing an access trapdoor. Possibility of a panel anti-lift feature by adding peripheral CA113 stirrups.